

Specification Detail of Model LW80SEU

Specification	
Product Model	LW80SEU
Storage Capacity	190L
Overall Wine Bottle Capacity (750ml Standard Bordueax)	69
Installation Type	built-in or freestanding
Color/Finish	black cabinet
Primary Material	metal, stainless steal, glass, wood, wire
Door Style	double pane, tinted
Cooling System	compressor
Defrost System	frost free
Anti-Vibration Technology	Yes
Ventilation Location	Front
Fan Type	Interior
Humidity Control	>65%
Integrated Lock	Yes
Quiet Operation	40 db
Stain Resistant	antirust coat
Odor Resistant	activated carbon filter
Leak-proof	water pan
Power Input	80W
Voltage	220-240volts
Frequency	50Hz
Amperage	0.5 amperes
Estimated Yearly Electricity Use (kWh)	168
Country of Origin	China
Refrigerant	R600a
Interior Light	Yes
Bulb Type	white LED
Adjustable Feet	Yes (From 0 to 10mm)
Temperature Specification	
Temperature Zones	single zone
Overall Minimum Temperature	5 degrees C
Overall Maximum Temperature	22 degrees C
Temperature Display Type	touch screen

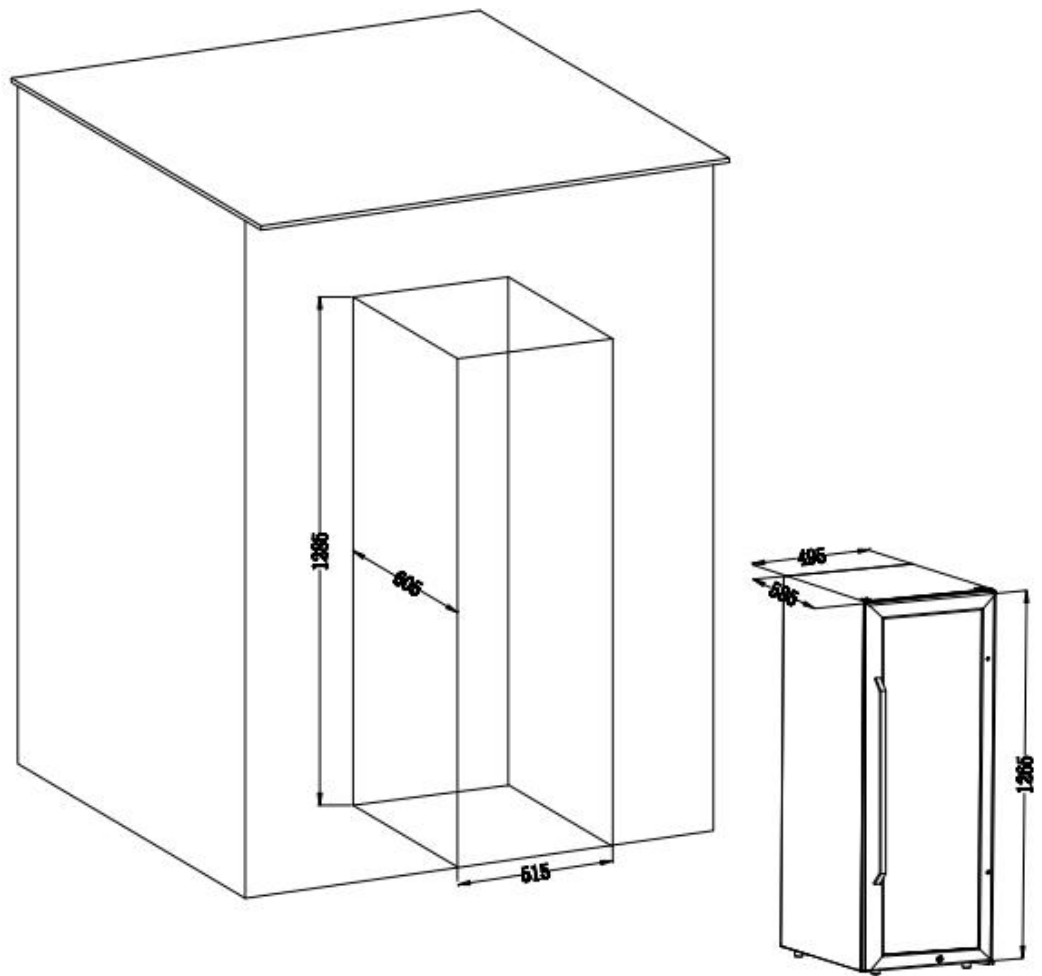
Doors	
Door Handle Design	external
Door Swing Orientation	left
Number of Doors	1
Door Material	tempered glass
Door Material Details	tinted double pane
Door Color/Finish	stainless steel
Door Opening Degree to Slide out Shelves	>90°
UV Resistant	Yes
Door Reversible	Yes
Shelves	
Adjustable Shelves to different heights	No
Number of Shelves	5 full shelves + 1 half shelf
Shelve Material	beech wood
Shelves slide out degree	75%
Full shelve size (Width x Depth x Height)	405x446x19mm
Half shelve size (Width x Depth x Height)	405x315x19mm
Certifications Listings&Approvals	
CE Listed	Yes
ERP New Standard	Level G
ISO 9001 Certified	Yes
Unit Dimension and Weight	
Overall Height - Top to Bottom	1265mm
Overall Width - Side to Side	495mm
Overall Depth - Front to Back	600mm
Depth -Excluding Handles	585mm
Interior Height - Top to Bottom	1174mm
Interior Width - Side to Side	417mm
Interior Depth - Front to Back	443mm
Door Height - Top to Bottom	1240mm
Door Width - Side to Side	495mm
Door Depth - Front to Back	33mm
Depth With Door Open at 90 Degrees	1042mm
Cutout Width - Side to Side	515mm
Cutout Depth - Front to Back	605mm
Cutout Height - Top to Bottom	1285mm
Overall Product Weight Net Weight	51.4kg
Shipping Weight with Panel	62.4kg
Shipping Height - Top to Bottom with Panel	1315mm
Shipping Width - Side to Side	550mm
Shipping Depth - Front to Back	670mm



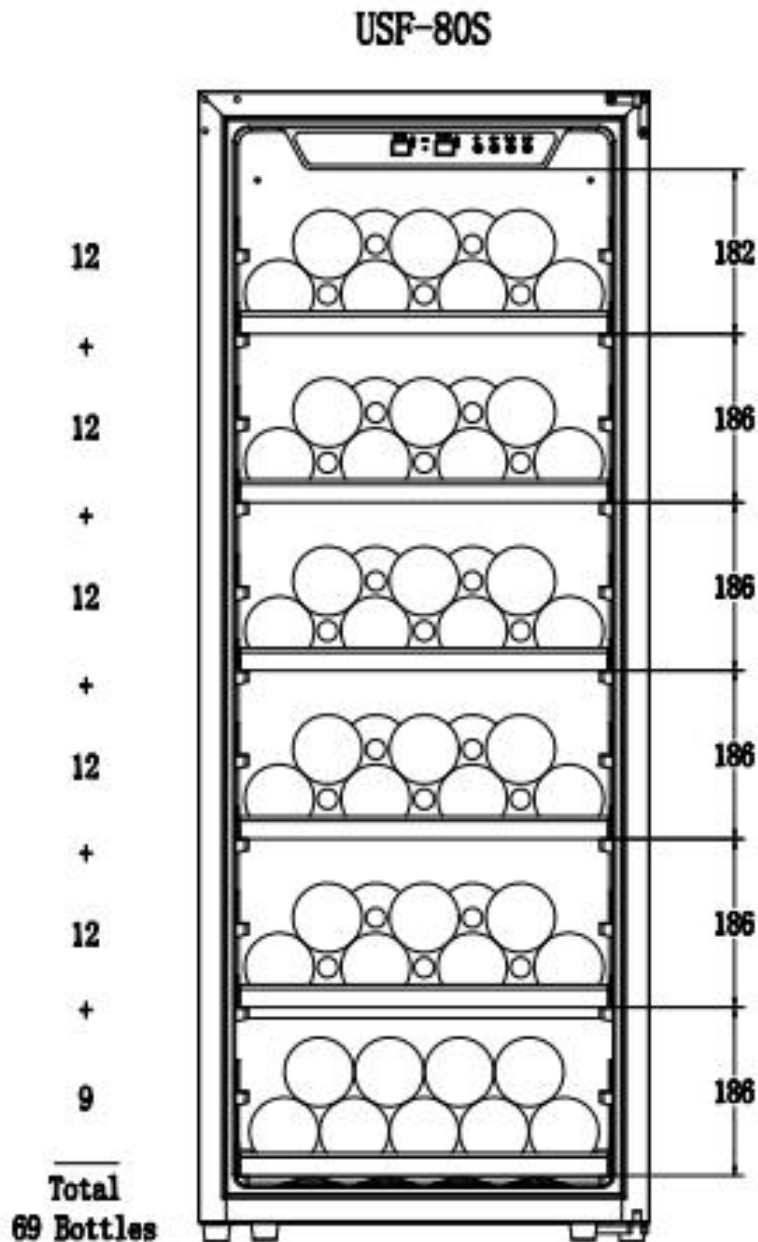
Your Professional Home and Commercial Appliances Supplier

Installation and Usage	
Installation Required	No
Tools Needed for Installation	No
Additional Parts Required	No
Supplier Intended and Approved Use	residential and commercial use
Outdoor Use	No
Product Care	wipe clean with a dry cloth
Undercounter	Yes
Warranty	
Manufacturer Warranty (labor)	1 year
Manufacturer Warranty (parts)	1 year
What in the Box	
LW80SEU Dual Zone Wine Cooler	1 unit
User Manual	1 pc
Keys	2 pcs
Hinge Cover	1 pc

The Smallest Space Left for Installing LW80SEU



Storage Capacity



The bottle capacity is for standard Bordeaux 750ml bottles which are approximately 2.75" in diameter. Storing large and/or oddly shaped bottles (including champagne and sparkling wine bottles) should remove at least 1 shelf (shelves is removable) and will decrease the number of bottles you are able to store in your wine cooler.



Your Professional Home and Commercial Appliances Supplier

Energy Guide